

68021 MANUAL for INDUCTIVE PROXIMITY SWITCH – Revision 2

PRODUCT INFORMATION

Product full name:	Inductive proximity Switch
Product Group:	768200
Nominal size:	DN15-250
Working temperature:	-25°C to +70°C

PRODUCT DESCRIPTION

Product also contains a mounting bracket and 2-meter cable per switch.

IP68 protection class and ROHS compliant.

Inductive proximity switch is used for remote position indication of quick closing valves, 1 pc for open or closed indication alternatively 2 pcs for open and closed indication.

Supply voltage limits are 12 to 48 VDC.

The switch sends a signal when a metallic object is present in front of it, no contact is required.

The inductive proximity switch is mounted on a bracket that in turn is mounted on the valve. The brackets have different design depending on valve size, e.g. smaller sized brackets have a fork-design that requires two washers.

MOUNTING LIMIT SWITCH ON VALVE

ATTENTION! Before beginning the installation of the valve ensure that there is no media in the valve. If there is, make sure to drain the valve before continuing with the installation.

1. If not already, fully open the valve.
2. Choose two of the bolts attaching the bonnet to the valve body where you want to place the bracket. Loosen and remove the bolts completely.

If no suitable place for the bracket is available, the bonnet can be rotated to give better access: 1. With the valve in open position remove the bolts holding the bonnet. 2. Lift and turn the bonnet without damaging the gasket. 3. Re-assemble the bolts and tighten them.

3. Valve size DN32 or smaller: Mount one washer on each bolt and re-assemble them so there is 3-4mm clearance between bolt with washer and bonnet.
4. Valve size DN32 or smaller: Fit the brackets “forks” into the clearance and tighten the bolts.
5. Valve size DN80 or larger: Mount one bolt in each of the bolt holes on the bracket. Re-assemble the bolts on the valve and tighten them.

ADJUSTMENT OF LIMIT SWITCH

If the switch is to indicate open state of the valve it shall be mounted so that it aligns with the indication washer when the valve is fully open. If the switch is to indicate closed state of the valve the switch shall be mounted so that it aligns with the indication washer when the valve is fully closed.

Adjust the length (distance to indication washer) and vertical position of the switch by loosening and re-adjusting the position of the two nuts (2) that clamp the switch to the bracket.

NO.	Description
1	Inductive switch
2	Nut
3	Cable

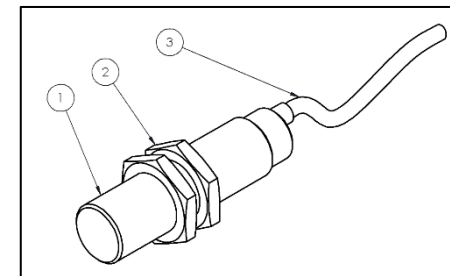


Figure 1 Inductive limit switch.

For more detailed information, please visit the Meson webpage or contact our company.

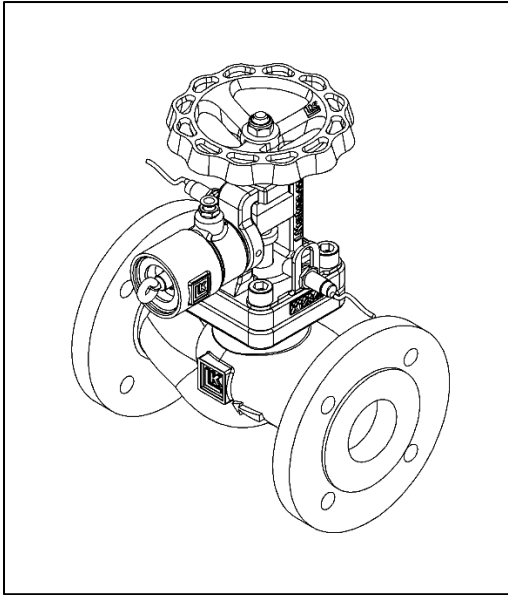


Figure 2 QCV with two inductive limit switches.

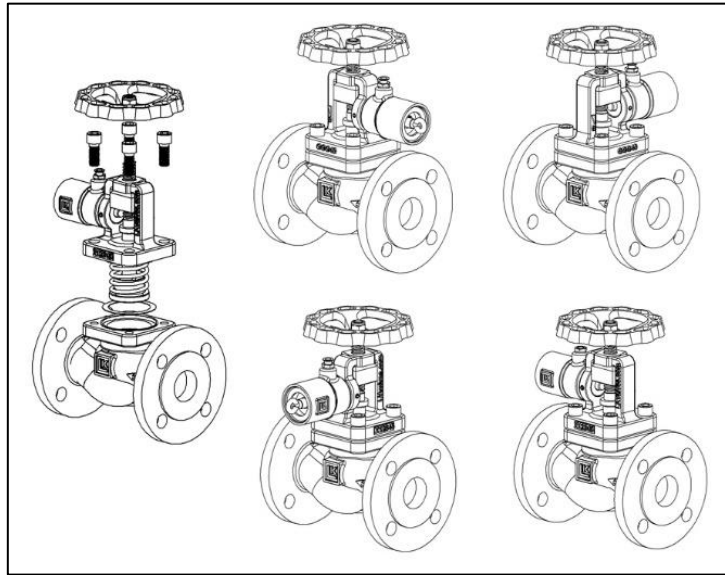
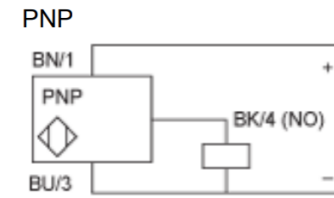


Figure 3 Turning bonnet.



BU : Blue
 BN : Brown
 BK : Black

Figure 4 Wiring diagram for inductive sensor.